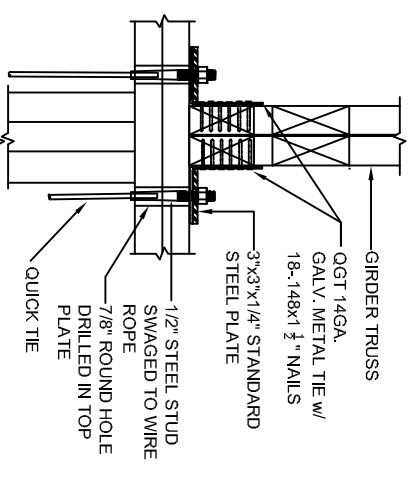
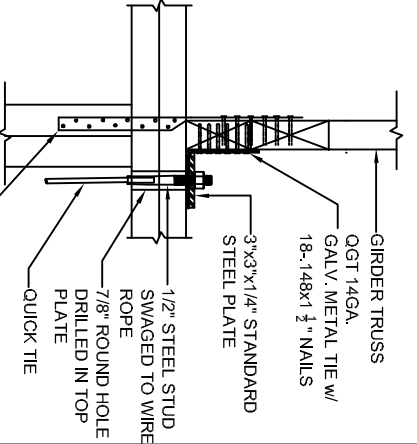


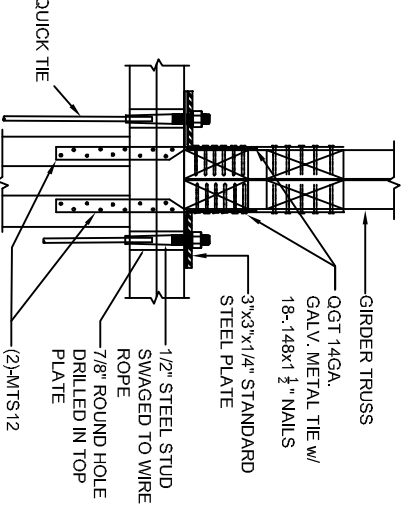
CAPACITY = 1450 lbs



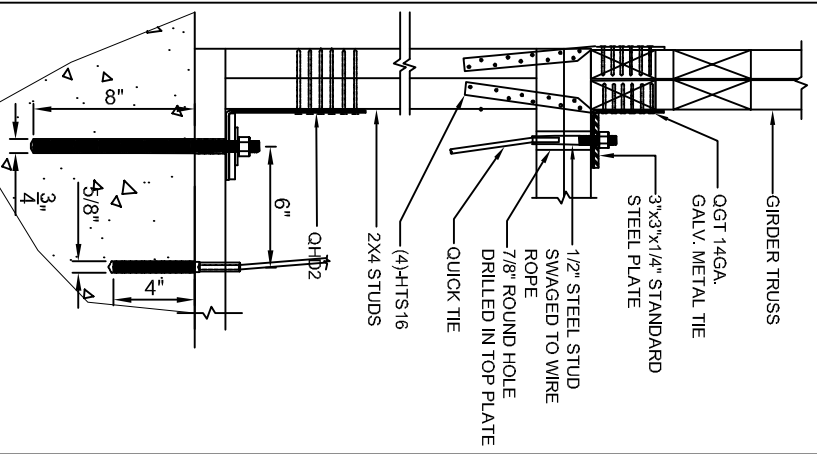
CAPACITY = 2900 lbs



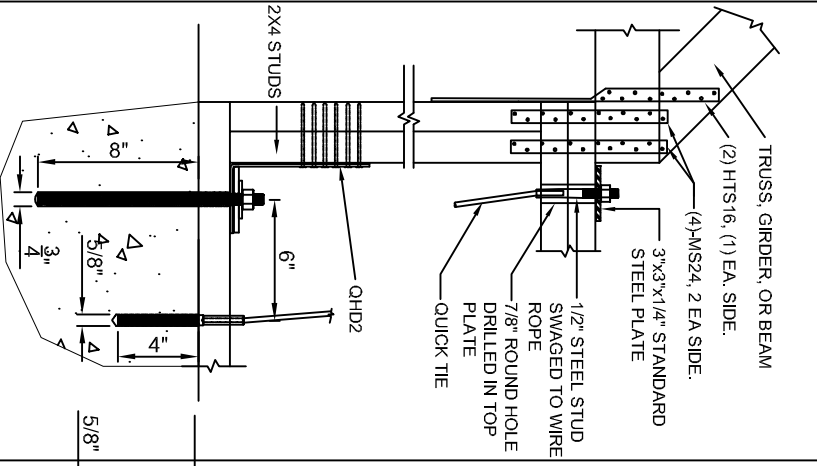
CAPACITY = 2321 lbs



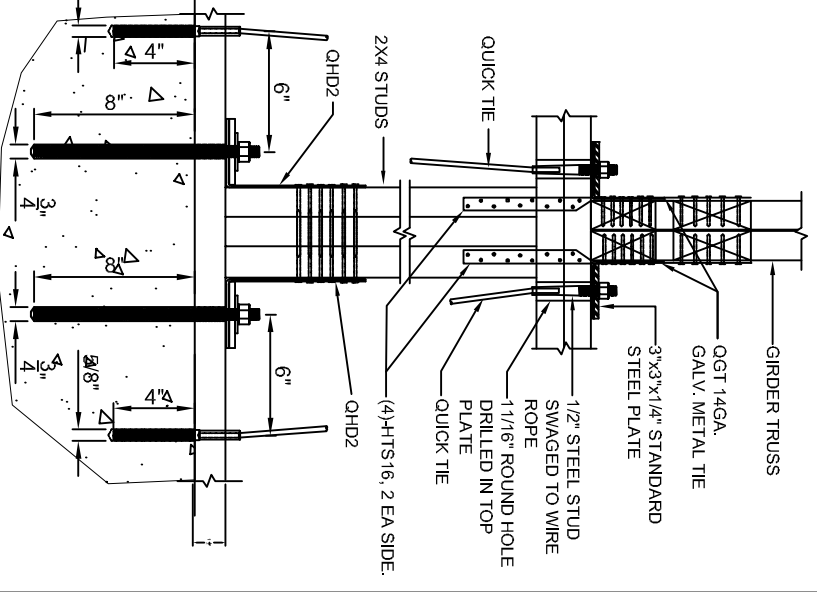
CAPACITY = 4642 lbs



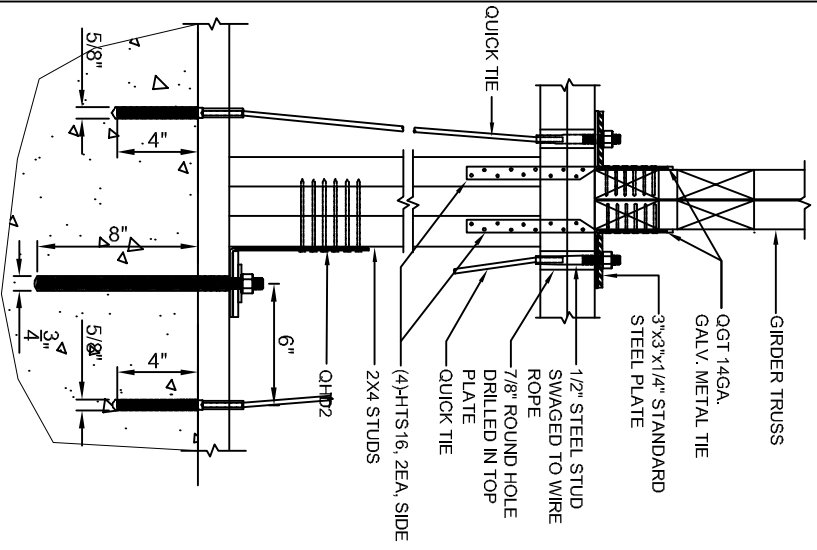
CAPACITY = 6371 lbs



CAPACITY = 6371 lbs



CAPACITY = 10434 lbs



CAPACITY = 7920 lbs

QUICK TIE GIRDER CONNECTION DETAILS