

Foundation Connectors



Anchor Bolt Assembly

QTABA

PRODUCT FEATURES:

Anchor Bolt Assembly (ABA) holds the anchor in place before pouring the concrete for both concrete slab/foundation and CMU wall applications (coupling application for QT cables).

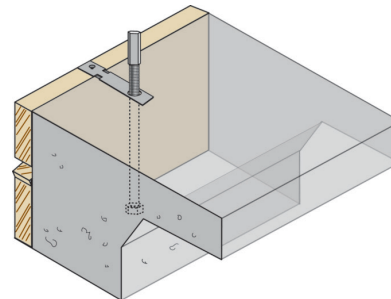
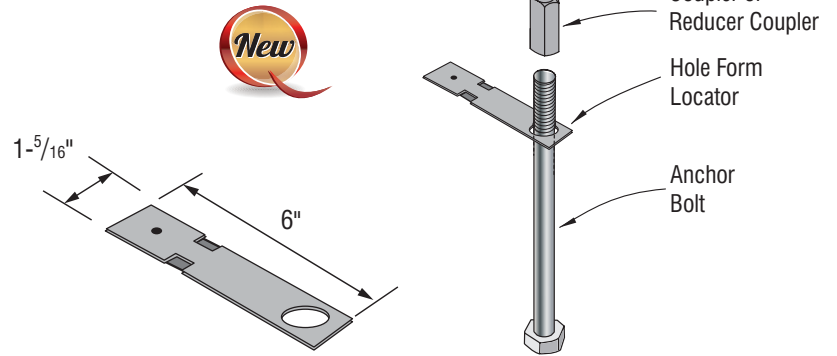
ASSEMBLY:

Hole Form Locator – 20 Gauge, Galvanized (G90)

Threaded Rod – ASTM A36 Steel, Zinc Plated

Hex Nut – Grade 2, Zinc Plated

Couplers – Grade 2, Zinc Plated



Item No.	Description
QTABA-Blue	Hole Form Locator, 5/8" Anchor Bolt & Reducer Coupler
QTABA-Green	Hole Form Locator, 5/8" Anchor Bolt & Reducer Coupler
QTABA-Orange	Hole Form Locator, 5/8" Anchor Bolt & Coupler
QTABA-Red	Hole Form Locator, 5/8" Anchor Bolt & Reducer Coupler