

Foundation Connectors



ANCHOR CHAIR

AC33

PRODUCT FEATURES:

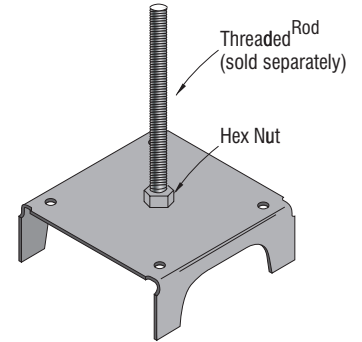
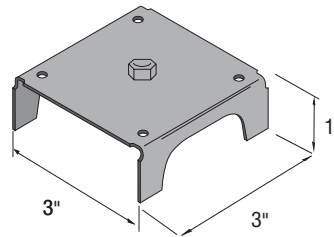
Anchor Chair (AC33) allows for precise and easy placement of hold downs and shear anchors in elevated slabs.

MATERIAL: 16 gauge

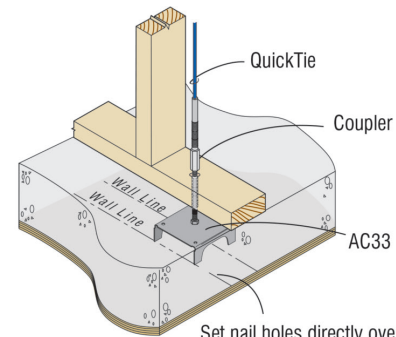
COATING: Galvanized (G90)

INSTALLATION:

- Align nail holes over chalk line and nail to form
- Install desired size anchor to AC33



Item No.	Description
AC33.37	Anchor Chair, 3/8" Nut & 3/8" Rod
AC33.5	Anchor Chair, 1/2" Nut & 1/2" Rod
AC33.62	Anchor Chair, 5/8" Nut & 5/8" Rod
AC33.75	Anchor Chair, 3/4" Nut & 3/4" Rod



Set nail holes directly over chalk lines to align AC33 below wall, and place anchor in center of wall