

Foundation Connectors



CMU Saddle Assembly

CMUB(W), CMUG(W), CMUO(W), CMUR(W)

PRODUCT FEATURES:

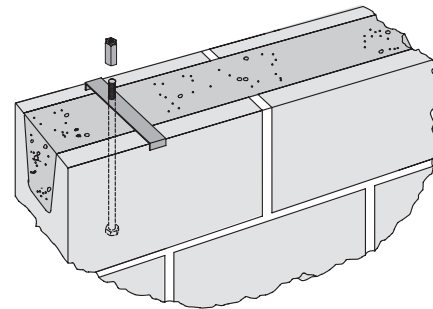
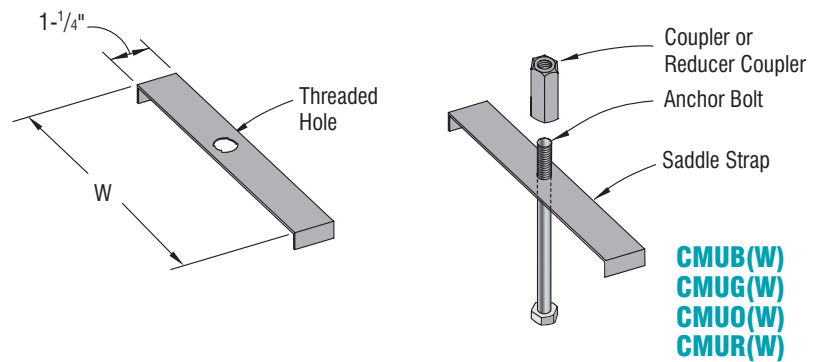
The CMU Saddle Assembly is designed to allow for easy installation and placement of Anchor Bolts when used with QuickTies in concrete masonry wall applications. The CMU Saddle Assembly comes in eight different sizes to cover the four QuickTie sizes and 8" and 12" wide masonry walls. Each CMU Saddle Assembly includes saddle strap, anchor bolt and coupling.

ASSEMBLY:

Saddle Strap – 20 Gauge, Galvanized (G90)

Anchor Bolt – ASTM A36 Steel, Zinc Plated

Couplers – Grade 2, Zinc Plated



Item No.	Width (W)	Description
CMUB8	7 5/8"	8" CMU Wall, 20 Ga. Strap, 5/8" Anchor Bolt & Reducer Coupler
CMUB12	11 5/8"	12" CMU Wall, 20 Ga. Strap, 5/8" Anchor Bolt & Reducer Coupler
CMUG8	7 5/8"	8" CMU Wall, 20 Ga. Strap, 5/8" Anchor Bolt & Reducer Coupler
CMUG12	11 5/8"	12" CMU Wall, 20 Ga. Strap, 5/8" Anchor Bolt & Reducer Coupler
CMUO8	7 5/8"	8" CMU Wall, 20 Ga. Strap, 5/8" Anchor Bolt & Coupler
CMUO12	11 5/8"	12" CMU Wall, 20 Ga. Strap, 5/8" Anchor Bolt & Coupler
CMUR8	7 5/8"	8" CMU Wall, 20 Ga. Strap, 5/8" Anchor Bolt & Reducer Coupler
CMUR12	11 5/8"	12" CMU Wall, 20 Ga. Strap, 5/8" Anchor Bolt & Reducer Coupler