

# Wood Connectors



## Deck Tension Tie

### PRODUCT FEATURES:

HDTT's are deck tension ties designed to satisfy the minimum requirements for deck construction per IRC 507. The part includes bend washer and wood screws.

### MATERIAL:

HDTT – 14 ga

### COATING:

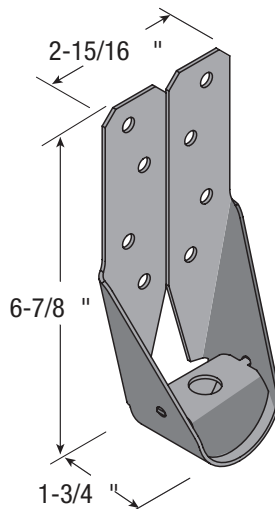
Galvanized (G185)

### INSTALLATION:

- Used all specified fasteners in schedule to achieve values indicated.

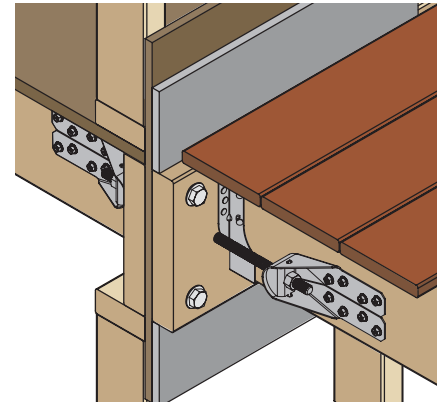
### CODE COMPLIANCE:

TER 0910-01; FL 3557



### HDTT

(Part includes bend washer and structural wood screws)



## ALLOWABLE LOADS FOR DECK TENSION TIE (LB)<sup>1,2,3</sup>

Part No.	Steel Gauge	Dimensions (in.)						Fasteners				Uplift (lb)			
		Height H	Width W	Depth D	Stud to Anchor CL (in.)	Bottom Plate to Top of Washer (in.)	Min. Wood Member Size (in.)	Nails/Screws/Bolts		Anchor Bolt <sup>2</sup>		SP / DF-L (SG = 0.50)		S-P-F (SG = 0.42)	
								Type	Qty	Size	Qty	C <sub>D</sub> = 1.6	Δ(1.6)	C <sub>D</sub> = 1.6	Δ(1.6)
HDTT	14 ga	6 <sup>7</sup> / <sub>8</sub>	3 <sup>3</sup> / <sub>4</sub>	1 <sup>1</sup> / <sub>4</sub>	1	1 <sup>3</sup> / <sub>16</sub>	1 <sup>1</sup> / <sub>2</sub> x 3 <sup>1</sup> / <sub>2</sub>	SWH15	8	½	1	2,430	0.347	2,105	-

### NOTES:

1. Anchor bolt installation into any substrates should be designed to resist the allowable uplift loads.
2. Allowable loads based on connector attached to 2 x 4 from 1" above the base (i.e. no resistance from prying action).
3. Refer to page 54 for structural wood screw SWH15 (1/4" x 1-1/2") details.