

# Wood Connectors



## Plywood Clips

### PRODUCT FEATURES:

Plywood clips are used to support sheathing edges between rafters/ trusses

### MATERIAL:

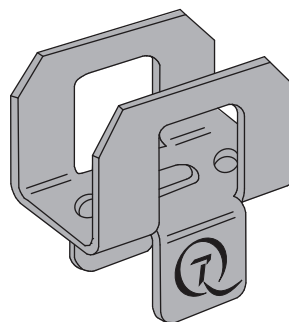
20 Gauge

### COATING:

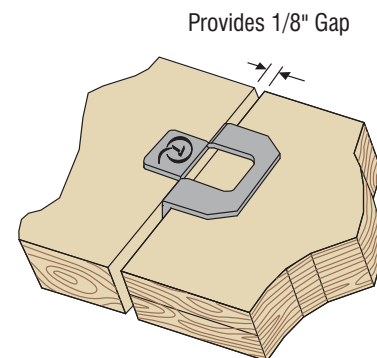
Galvanized (G90)

### INSTALLATION:

Install same size clip as panel thickness centered between rafter/ truss



PC



Item No.	Description
PC38	$\frac{3}{8}$ " Panel Thickness
PC716	$\frac{7}{16}$ " Panel Thickness
PC1532	$\frac{15}{32}$ " Panel Thickness
PC12	$\frac{1}{2}$ " Panel Thickness
PC58	$\frac{5}{8}$ " Panel Thickness
PC1932	$\frac{19}{32}$ " Panel Thickness
PC34	$\frac{3}{4}$ " Panel Thickness