

Foundation Connectors



Purlin Anchors



PRODUCT FEATURES:

QuickTie Purlin Anchor Straps (PA) are used for joist to concrete or CMU wall attachment and foundation applications.

MATERIAL:

PA Series - 12 Gauge

COATING:

Galvanized (G185)

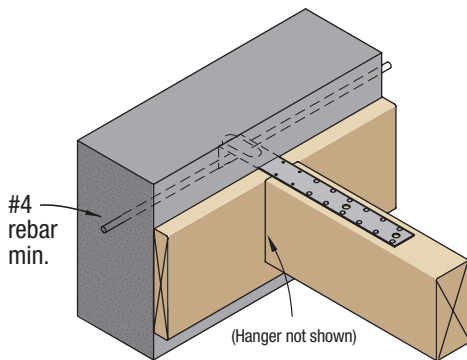
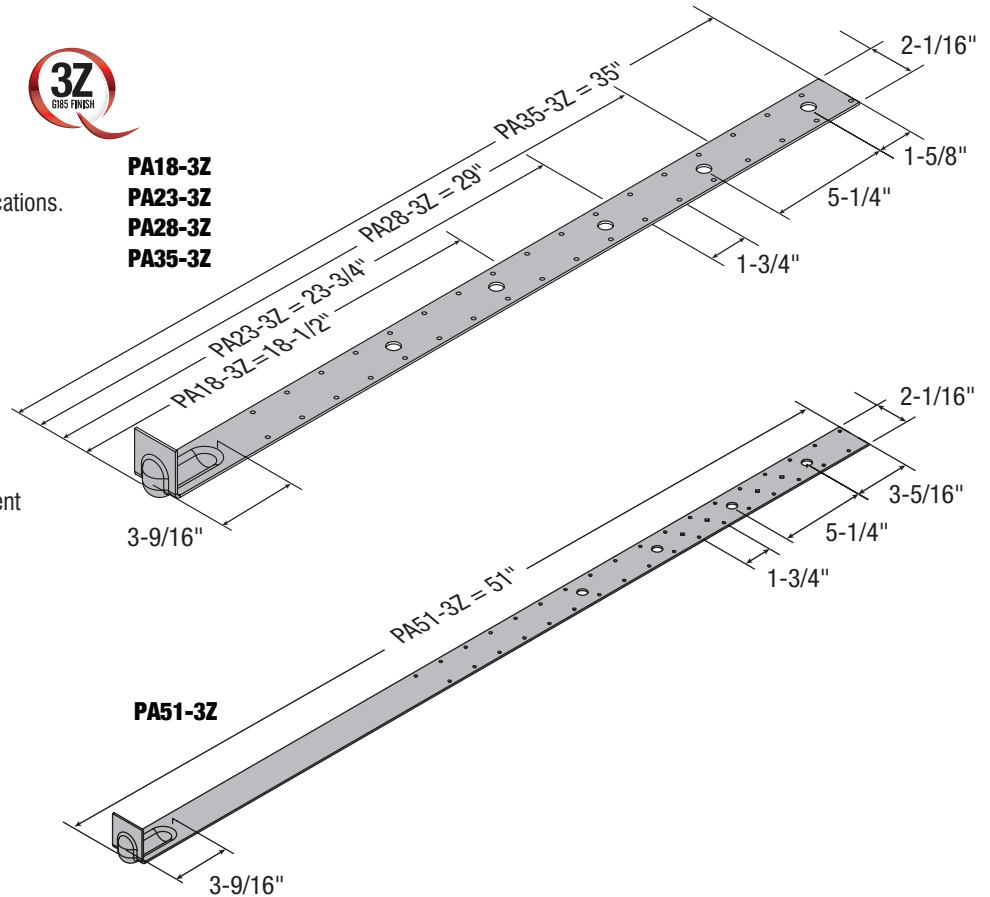
INSTALLATION:

- Use all specified fasteners in schedule to achieve the values indicated.
- PA Series requires a minimum of 4" and 6" embedment into the concrete and CMU walls, respectively.

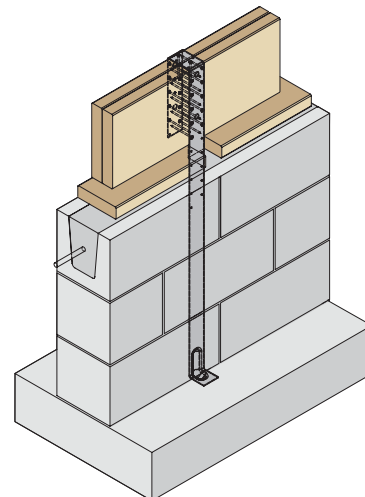
CODE COMPLIANCE:

Call QT for code approval information.

PA18-3Z
PA23-3Z
PA28-3Z
PA35-3Z



Concrete Wall Attachment



CMU Wall Attachment

ALLOWABLE TENSION LOADS FOR PURLIN ANCHORS (LB)^{1*}

Part Name	Strap Length (in.)	Embedment Length, L _e (in.)		Fasteners		Allowable Tension Loads (lb) [*]	
		Concrete	CMU	Qty	Nail Type	SP / DF-L (SG = 0.50)	
						Concrete	CMU
PA18-3Z	18½	4	6	12	10d (0.148 x 3")	2,430	1,890
PA23-3Z	23¾	4	6	16	10d (0.148 x 3")	3,220	2,815
PA28-3Z	29	4	6	16	10d (0.148 x 3")	3,230	2,815
PA35-3Z	35	4	6	16	10d (0.148 x 3")	3,230	2,815
PA51-3Z	51	4	6	10	10d (0.148 x 3")	2,025	2,815
				26	10d (0.148 x 3")	5,410	5,410

NOTES:

1. Nails designated as 10d shall be 10d common nails (0.148" x 3", F_yb = 90,000 psi).

*Allowable loads per NDS nail calculations, call QT for code approval information.