

Wood QuickTies™

QTB Blue, QTG Green, QTO Orange, QTR Red

QTB Blue

ALLOWABLE LOAD: 1,909 LB

Wire Rope:

Breaking Strength: 4,200 lb

Hole Diameter:

Top Plate: 1"

Sill Plate: 5/8"

Concrete: 7/16"

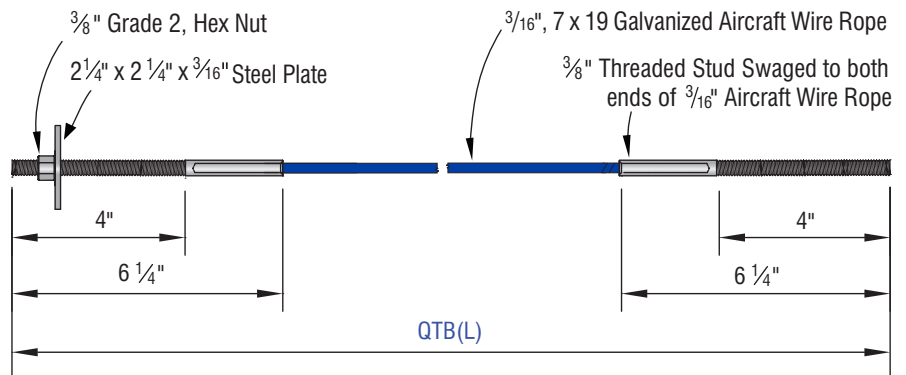
Concrete:

Min. Comp. Strength: 2,500 psi

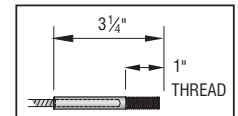
Min. Embedment: 4"

Min. Edge Distance: 2-1/4"

TER 0910-01; FL #13468.1



Coupled Connection End



QTG Green

ALLOWABLE LOAD: 2,839 LB

(NO EDGE CONDITION: 3,182 LB)

Wire Rope:

Breaking Strength: 7,000 lb

Hole Diameter:

Top Plate: 1"

Sill Plate: 5/8"

Concrete: 9/16"

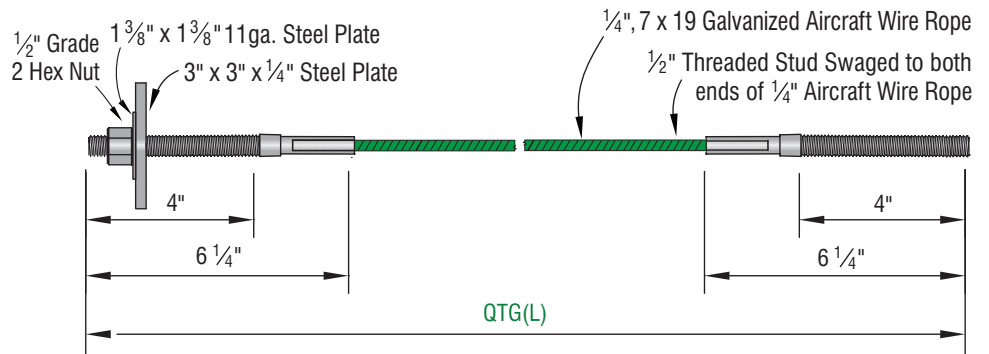
Concrete:

Min. Comp. Strength: 2,500 psi

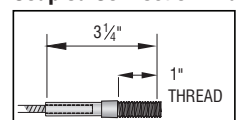
Min. Embedment: 4"

Min. Edge Distance: 2-1/4"

TER 0910-01; FL #13468.2



Coupled Connection End



QTO Orange

ALLOWABLE LOAD: 4,455 LB

Wire Rope:

Breaking Strength: 9,800 lb

Hole Diameter:

Top Plate: 1"

Sill Plate: 3/4"

Concrete: 3/4"

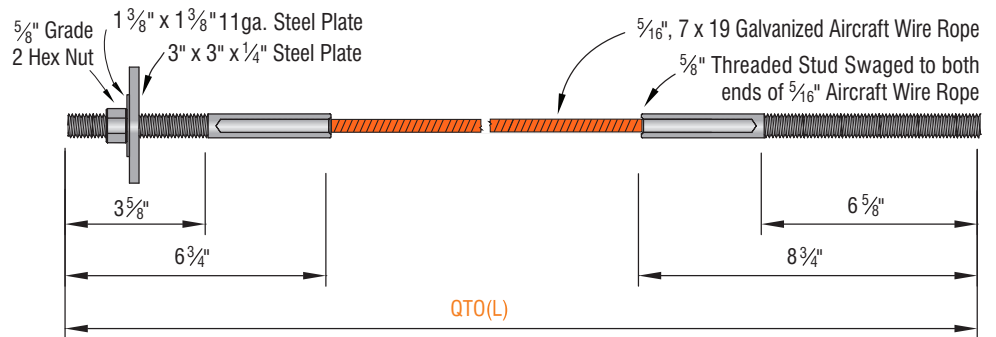
Concrete:

Min. Comp. Strength: 2,500 psi

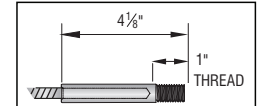
Min. Embedment: 6-5/8"

Min. Edge Distance: 3"

TER 0910-01; FL #13468.3



Coupled Connection End



QTR Red

ALLOWABLE LOAD: 6,545 LB

Wire Rope:

Breaking Strength: 14,400 lb

Hole Diameter:

Top Plate: 1"

Sill Plate: 7/8"

Concrete: 7/8"

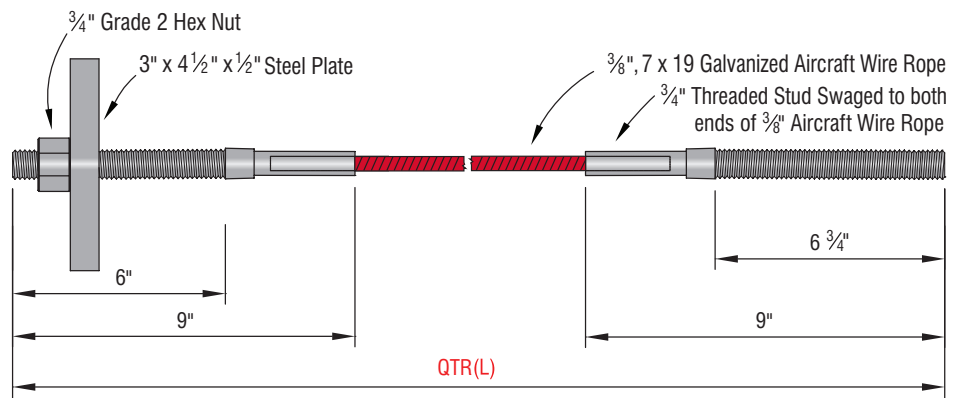
Concrete:

Min. Comp. Strength: 2,500 psi

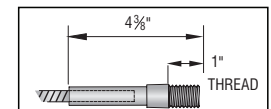
Min. Embedment: 8-1/8"

Min. Edge Distance: 3-1/2"

TER 0910-01; FL #13468.4



Coupled Connection End



NOTES:

1. QuickTies are manufactured in one inch (1") increments from 2' to 62' (Longer lengths available).
2. QuickTies part numbers, QTX(L), correspond to the length (L) measured from the top of embed surface to the uppermost top plate. (Example: For L = 17'-1", QuickTie part numbers are QTB17.1 for 3/16"; QTG17.1 for 1/4"; QTO17.1 for 5/16" and, QTR17.1 for 3/8").
3. To anchor the QuickTie™ System to the foundation, QE-1 Epoxy Adhesive is used (Refer to Page 10 for product information).